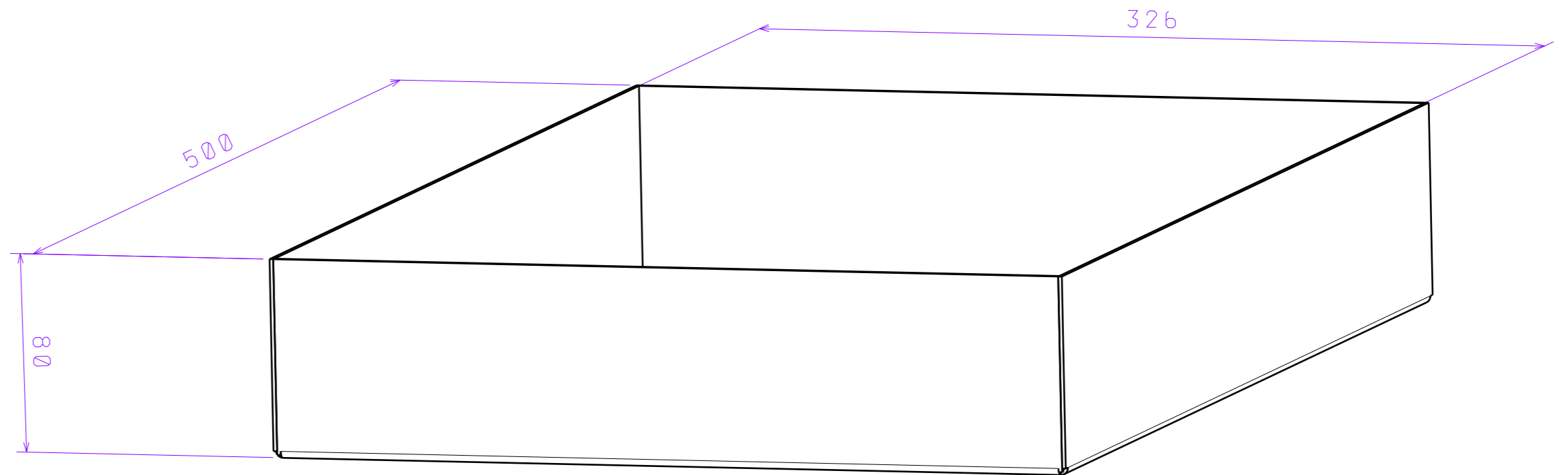


Adjust dimensions to
your drawer guides

Sheet metal 1,5mm



DRAWER